

Complying with High Pressure Gas Safety Act
 Satisfying container accessory inspection standards
 Compatible with hydrogen

Tank valve with pressure reducing mechanism

Prototype sales started



Simplified system
 On-board pressure reducing mechanism

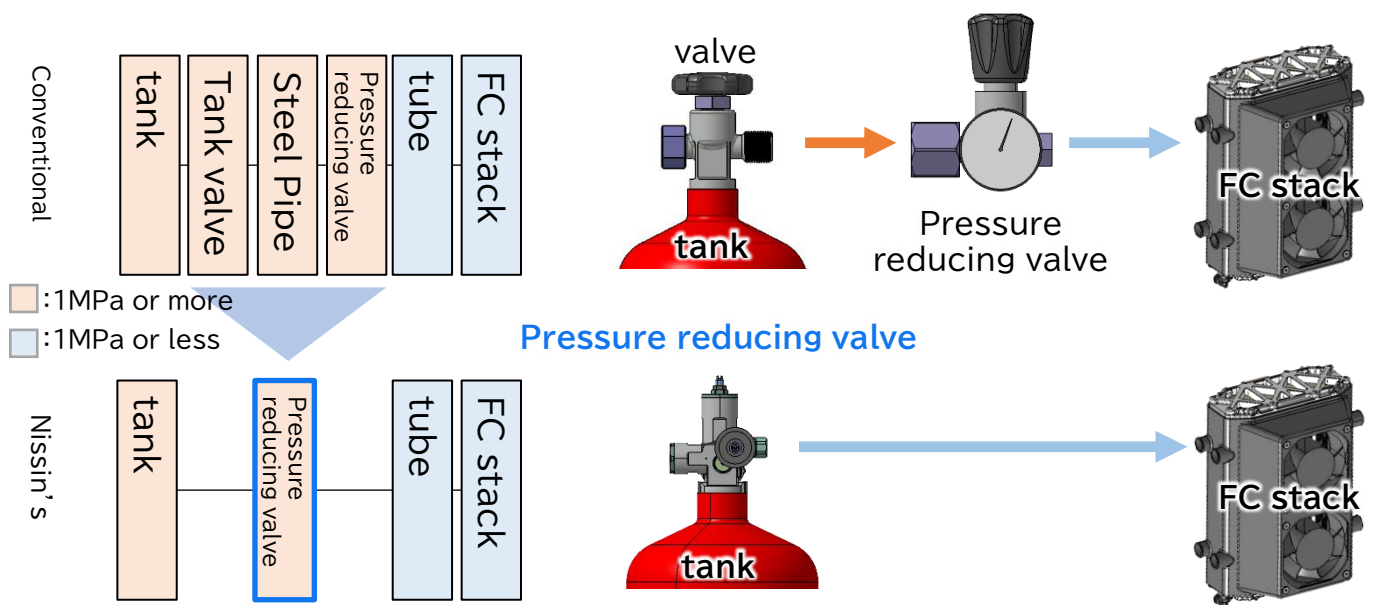
Domestically available
 KHK-compliant

Various optional specifications

The lightest class in Japan
 310g

Input Pressure	~35MPa
Output Pressure	0.09MPa±0.01MPa Changeable in units of 0.01 MPa
weight	310g Without any option

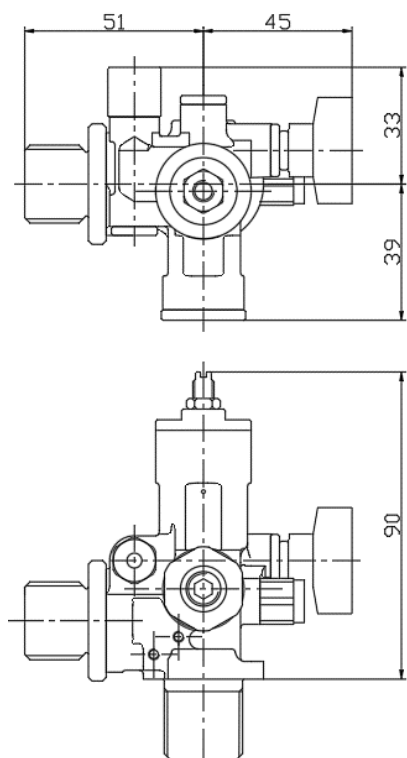
【Advantages of our valve system over conventional valve systems】



Simple system contributes to weight reduction.

Basic SPEC

【External dimensions】

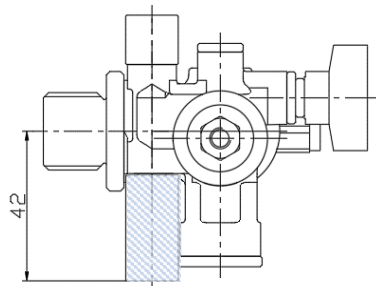


item	specification
Gas used	hydrogen
Body material	A6061-T6 or T651
Input pressure	3~35 MPa
Pressure test pressure	58.4 MPa
Output pressure	0.05~0.09MPa ※1
Flow rate	20~50 L/min ※2
Discharge port	Rc1/8
Tank connection port	7/8-14 UNF
Hydrogen filling port	W22-14-LH
Usage environment temperature	-10~70 °C
Fusible plug	Operating temperature 75~90 °C
On-off valve	Manual
Weight	310g

※1... Please specify the output pressure within the above range when ordering.
 ※2...Please specify the flow rate within the above range when ordering.

Option

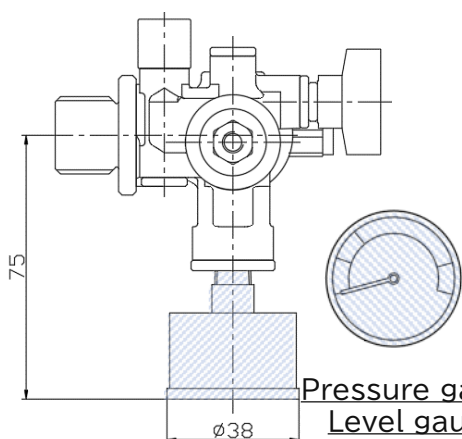
① Flow rate switching



item	specification	Weight
Flow rate switching	Lo/Hi Step switching	Approx.35g
Pressure gauge A	Bourdon tube	Approx. 50g
Pressure gauge B	Pressure Sensors	Approx. 30g
Pressure Relief Valve	Spring-loaded safety valve	Approx. 30g

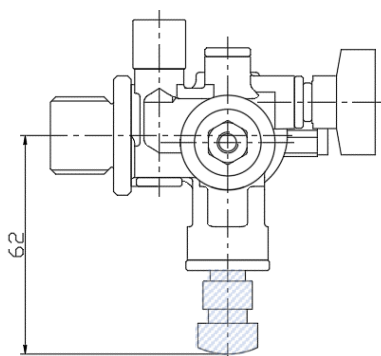
※3...If you select the flow rate switching option, please specify two flow rate patterns within the basic SPEC flow rate range.
 ※4...Specifications are subject to change.

② Pressure gauge A



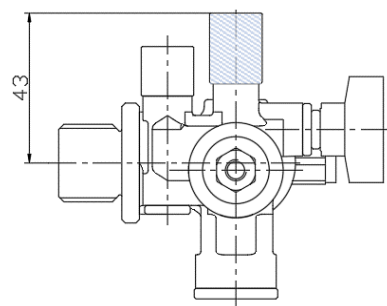
Pressure gauge
Level gauge

③ Pressure gauge B



Output voltage 0.5 to 4.5V
Current consumption 3mA

④ Pressure Relief Valve



Release pressure 0.2MPa

(You can change the settings. Please ask us.)